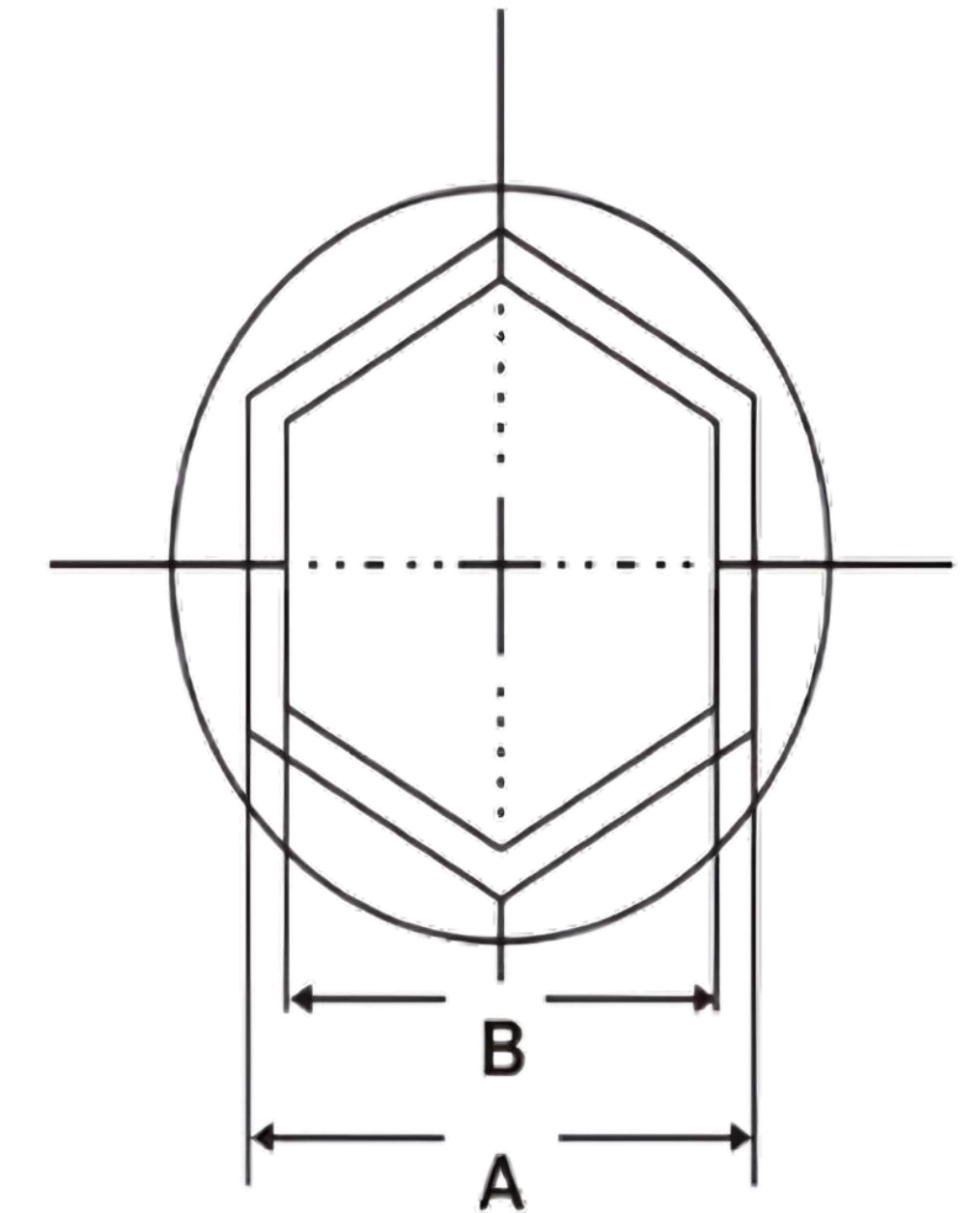


BOLTORQ Reducer Inserts are components used in various mechanical systems to adapt or change the size of a connection or component. They are commonly used in plumbing, piping, and mechanical applications where there is a need to transition between different sizes of pipes, fittings, or connectors.



TECHNICAL DATA

Nut Size (S)	Reducer Insert						Locking ring
	Type	A/B (mm)	Type	A/B (mm)	Type	A/B (mm)	
50	HR5041	50/41	HR5036	50/36	HR5032	50/32	H-50
46	HR4636	46/36	HR4632	46/32	HR4630	46/30	H-46
41	HR4132	41/32	HR4130	41/30	HR4127	41/27	H-41
36	HR3630	36/30	HR3627	36/27			H-36
32	HR3227	32/27					H-32
30							
27							
65	HR6555	65/55	HR6550	65/50	HR6546	65/46	H-65
60	HR6050	60/50	HR6046	60/46	HR6041	60/41	H-60
55	HR5546	55/46	HR5541	55/41	HR5536	55/36	H-55
50	HR5041	50/41	HR5036	50/36	HR5032	50/32	H-50
46	HR4636	46/36	HR4632	46/32	HR4630	46/30	H-46
41	HR4132	41/32	HR4130	41/30	HR4127	41/27	H-41
36	HR3630	36/30	HR3627	36/27			H-36
32	HR3227	32/27					H-32
30							
27							
90	HR9080	90/80	HR9075	90/75	HR9070	90/70	H-90
85	HR8575	85/75	HR8570	85/70	HR8565	85/65	H-85
80	HR8070	80/70	HR8065	80/65	HR8060	80/60	H-80
75	HR7565	75/65	HR7560	75/60	HR7555	75/55	H-75
70	HR7060	70/60	HR7055	70/55	HR7050	70/50	H-70
65	HR6555	65/55	HR6550	65/50	HR6545	65/45	H-65
60	HR6050	60/50	HR6046	60/46			H-60
55	HR5546	55/46	HR5541	55/41			H-55
50							
115	HR115105	115/105	HR115100	115/100	HR11595	115/95	H-115
110	HR110100	110/100	HR11095	110/95	HR11090	110/90	H-110
105	HR10595	105/95	HR10590	105/90	HR10585	105/85	H-105
100	HR10090	100/90	HR10085	100/85	HR10080	100/80	H-100
95	HR9585	95/85	HR9580	95/80	HR9575	95/75	H-95
90	HR9080	90/80	HR9075	90/75	HR9070	90/70	H-90
85	HR8575	85/75	HR8570	85/70	HR8565	85/65	H-85
80	HR8070	80/70	HR8065	80/65			H-80
75	HR7565	75/65					H-75
70							
65							
155	HR155145	155/145	HR155130	155/130	HR155120	155/120	H-155
145	HR145130	145/130	HR145120	145/120	HR145115	145/115	H-145
130	HR130120	130/120	HR130115	130/115	HR130110	130/110	H-130
120	HR120110	120/110	HR120105	120/105	HR120100	120/100	H-120
115	HR115105	115/105	HR115100	115/100	HR11595	115/95	H-115
110	HR110100	110/100	HR11095	110/95	HR11090	110/90	H-110
105	HR10595	105/95	HR10590	105/90	HR10590	105/90	H-105
100	HR10090	100/90	HR10085	100/85	HR10080	100/80	H-100
95	HR9585	95/85	HR9580	95/80			H-95
90	HR9080	90/80					H-90
85							
80							