

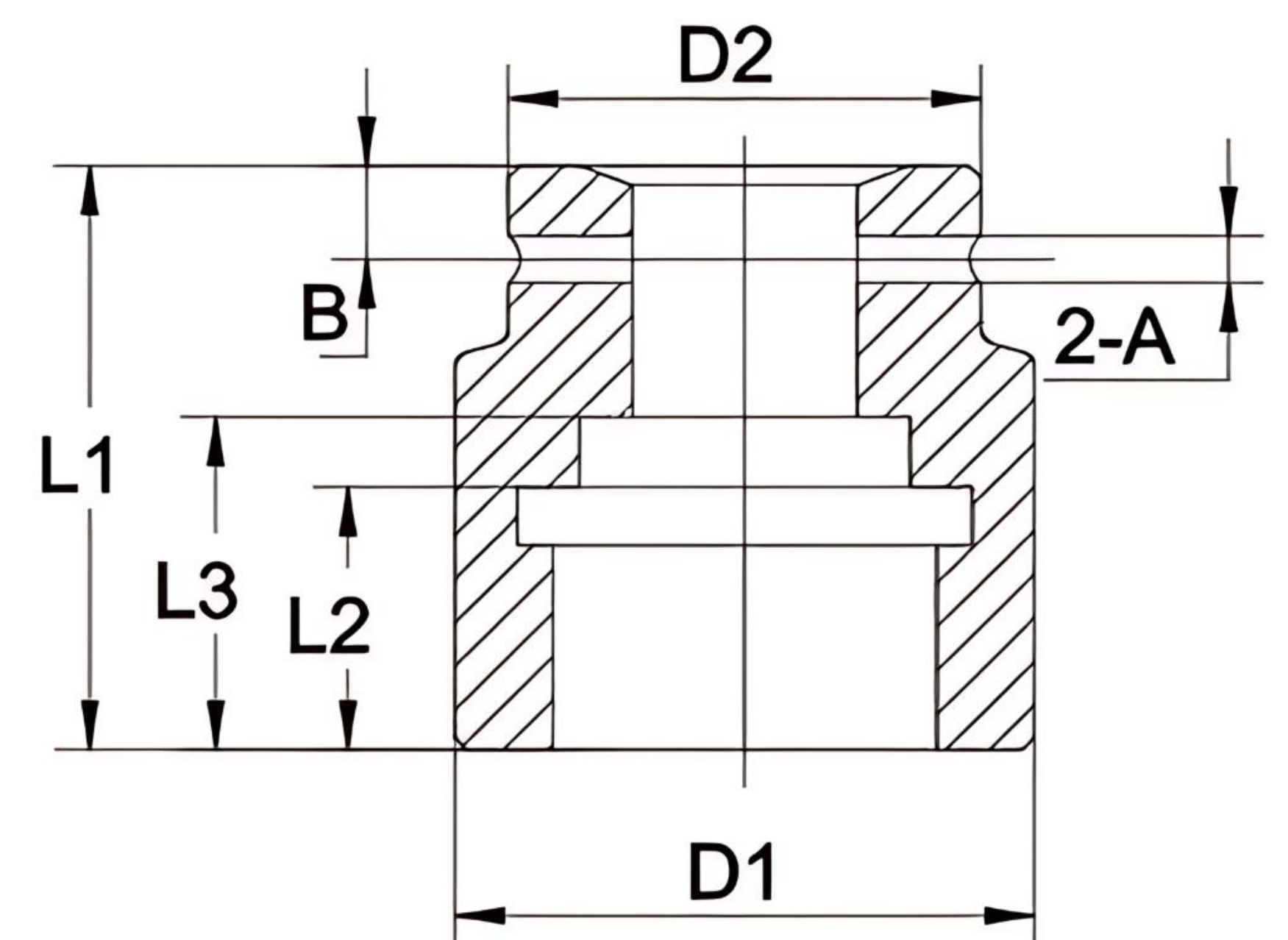
BOLTORQ impact socket is a combination of BOLTORQ torque sensor technology and impact socket, which can reflect the actual torque of the bolt in real time during the bolt tightening process. Through an innovative design, the Smart impact socket - the size of a standard impact socket.

Its small size and innovative technology make the impact socket the perfect calibration tool for checking bolted connections, as well as a calibration device for a variety of torque tools. Works in conjunction with BOLTORQ electric wrenches to guide correct torque and fast bolt tightening.



Characteristics: -

- Standard, Deep and Thin wall Sockets.
- Up to 3.1/2" SQ.DR Impact Sockets Through To 235 MM Across The Flats.
- Wide Variety Of Accessories.
- Optimum strength
- Impeccable finish
- Precisely designed



TECHNICAL DATA

Model		3/4"							1"					1-1/2"					2-1/2"										
D	N	A	B	L1	L2	L3	D1	D2	A	B	L1	L2	L3	D1	D2	A	B	L1	L2	L3	D1	D2	A	B	L1	L2	L3	D1	D2
M16	24	6.3	10	54	32	32	40	40																					
M18	27	6.3	10	54	32	32	42	42																					
M20	30	6.3	10	54	33	33	46	44	8	14	59	32	32	54	54														
M22	34	6.3	10	54	33	33	52	44	8	14	59	32	32	58	58														
M24	36	6.3	10	57	33	33	54	44	8	14	62	32	32	59	59	8	16	85	44	44	74	74							
M27	41	6.3	10	58	33	33	60	44	8	14	65	38	38	67	54	8	16	85	44	44	74	74							
M30	46	6.3	10	63	38	38	66	44	8	14	65	38	38	74	54	8	16	85	44	44	74	74							
M33	50	6.3	10	65	40	40	71	44	8	14	70	43	43	79	60	8	16	90	45	45	79	79							
M36	55	6.3	10	70	45	45	77	54	8	14	80	42	52	84	60	8	16	90	45	45	84	84	8	18	100	57	57	86	114
M39	60								8	14	85	45	57	89	60	8	16	100	45	57	94	75	8	18	100	52	52	119	119
M42	65								8	14	85	45	57	98	70	8	16	100	45	57	98	80	8	18	100	52	52	119	119
M45	70								8	14	90	50	62	104	70	8	16	105	50	62	104	80	8	18	120	67	67	128	128
M48	75								8	14	95	50	65	108	70	8	16	110	50	65	118	85	8	18	120	67	67	128	128
M52	80								8	16	115	55	72	118	90	8	18	130	71	71	128	90	8	18	130	71	71	128	128
M56	85								8	16	125	60	77	128	90	8	18	130	71	71	129	90	8	18	130	71	71	129	129
M60	90								8	16	125	60	77	139	90	8	18	140	61	73	139	90	8	18	140	61	73	139	139
M64	95								8	16	130	65	82	139	90	8	18	140	66	73	139	90	8	18	140	66	73	139	139
M68	100								8	16	135	70	87	144	90	8	18	140	71	81	148	90	8	18	140	71	81	148	130
M72	105								8	16	135	70	87	149	90	8	18	150	77	89	156	90	8	18	150	77	89	156	130
M76	110								8	16	135	70	87	158	90	8	18	150	72	90	158	90	8	18	150	72	90	158	130
M80	115								8	16	135	70	87	159	95	8	18	150	82	98	168	95	8	18	150	82	98	168	130
M85	120								8	16	135	70	87	168	95	8	18	150	82	98	178	95	8	18	150	82	98	178	130
M90	130								8	16	155	93	105	189	95	8	18	170	93	114	189	95	8	18	170	93	114	189	130
M95	135								8	18	170	93	114	198	130	8	18	170	93	114	198	130	8	18	170	93	114	198	130
M100	145								8	18	170	98	122	210	152	8	18	170	98	122	210	152	8	18	170	98	122	210	152
M105	150								8	18	190	100	140	216	152	8	18	190	100	140	216	152	8	18	190	100	140	216	152
M110	155								8	18	190	100	140	229	152	8	18	190	100	140	229	152	8	18	190	100	140	229	152
M115	165								8	18	190	100	140	241	152	8	18	190	100	140	241	152	8	18	190	100	140	241	152