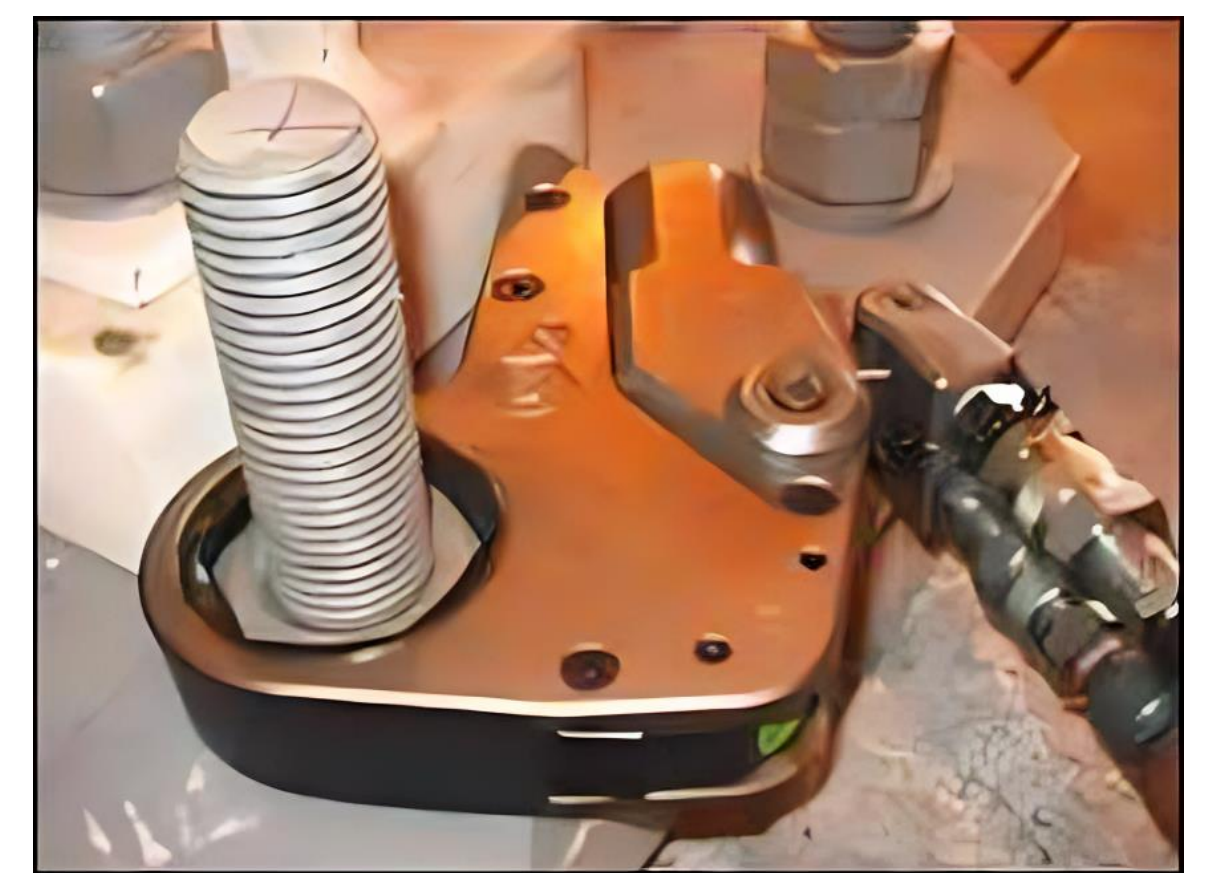


Hex Drive Low Profile Series

BOLTORQ LOW Series Direct Hex Drive Hydraulic Torque Wrenches are designed for extreme low spaces where normal tools cannot reach. The light weight & compact hydraulic cylinder is made of special Aircraft Grade Aluminum Alloy and the internal spares are made of high Nickel Alloy Steel. There are 5 Models in LOW Series ranging from 230 - 45000 Nm. All models have small nose radius which allows the tool to fit in such areas where space constraint is observed.

FEATURES:

- Hard Chrome Plated Piston Rod
- Specialised Steel Alloy Body
- High Performance Seals
- Self Lubricating Low Nickel Bronze Bush
- Cold Working Cylinder Bore
- High Nickel Steel Alloy Components
- Narrow Profile Nose
- Slim Cylinder Design
- Fine Toothed Ratchet Pawl
- Torsion Free Reaction Pad



SPECIFICATIONS:

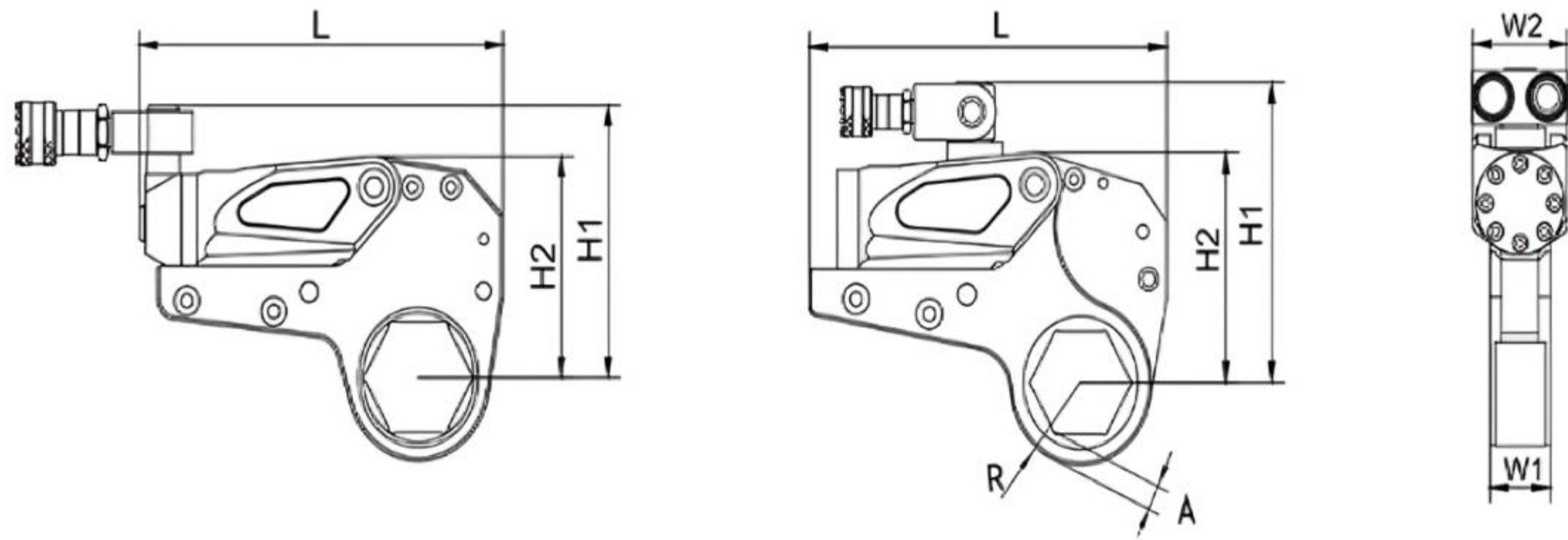
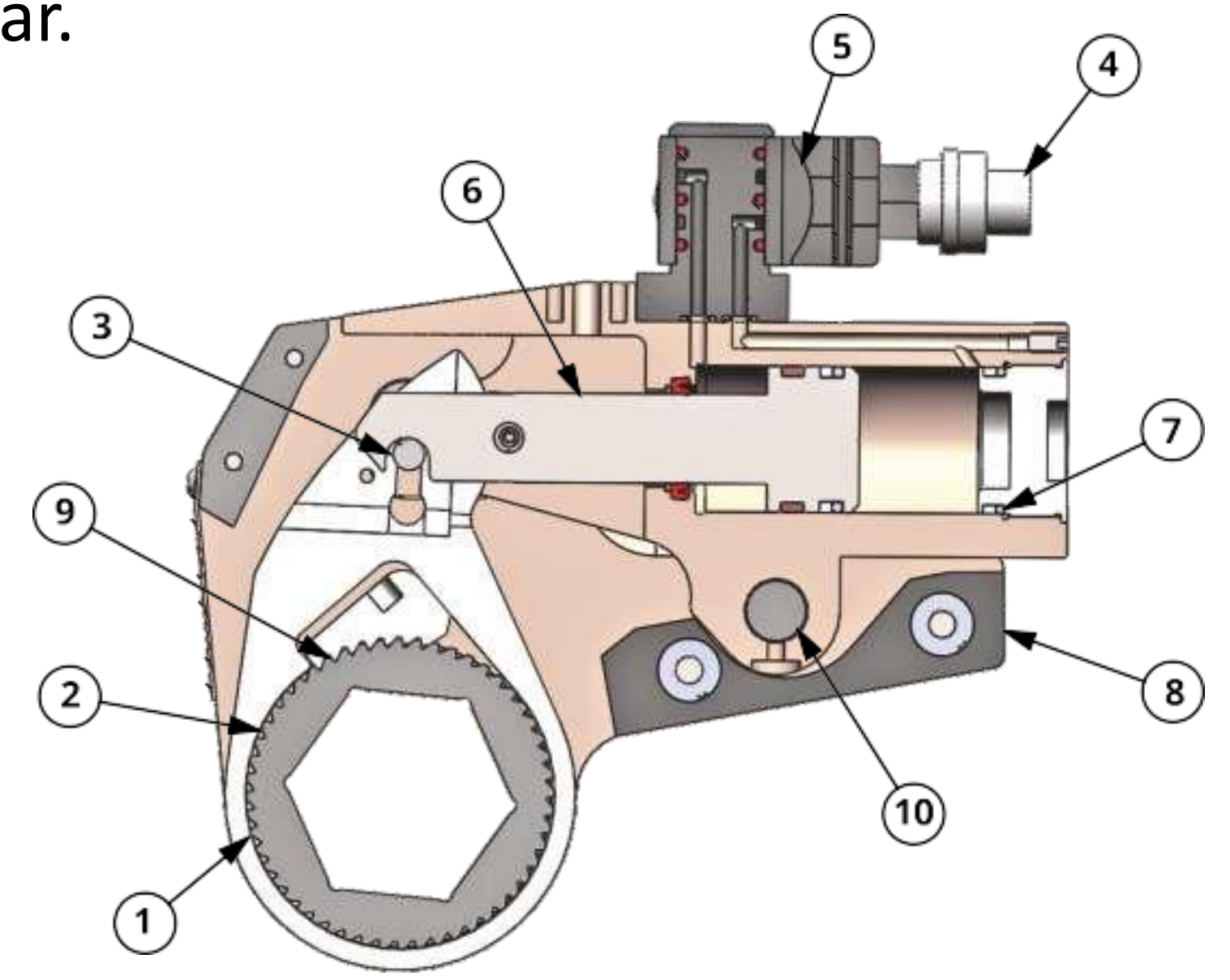
- High nickel alloy steel internal components ensure long lasting moving parts.
- The rod engages in the first stroke thus removing any backlash.
- The Hydraulic Torque Wrenches use an Alloy steel high strength hydraulic cylinder designed to exert a torque as per application.
- The ratchet and pawl have a finer tooth for better engagement and torquing.
- The quick connectors for the hydraulic lines are leak-resistant for safety even under pressure. This is an industry standard feature of the BOLTORQ hydraulic Torque Wrench.
- Low profile of the Hex type torque Wrench allows the tool to fit the narrowest gaps.

TECHNICAL DATA

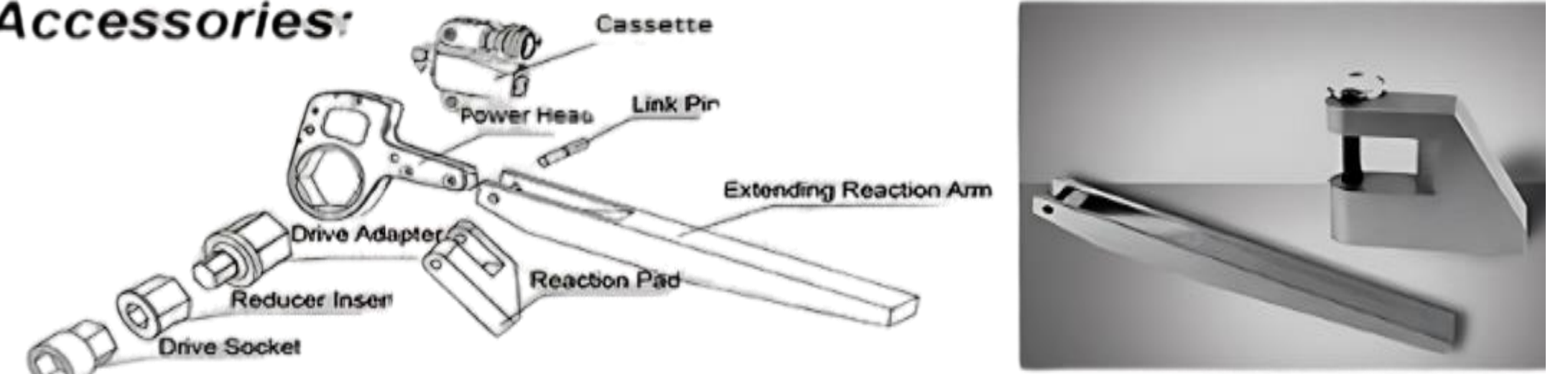
TYPE	Torque	Nut Sizes	Power Head Weight	Cassette Weight	Sizes					
	N.m	Mm	Kg	Kg	L1	L2	H1	H2	W1	W2
2 LOW	232-2328	19-55	1	1.6	195.4	186	125.9	102.3	32	51
	241-2414	60	1	1.7	195.4	186	128.5	105	32	51
4 LOW	585-2510	34-36	2	4.4	261.6	245	177	135.7	42	66
	585-5021	41								
	585-5858	46-65	2	4.6	261.6	245	187	145.7	42	66
	647-6474	70-80								
8 LOW	1094-10941	41-95	3.3	8	304	300	207	169	53	83
	1177-11774	100-105	3.3	8.4	304	300	216	178	53	83
14 LOW	1852-18521	50-117	5.5	11.6	361	361	239	204	64	99
30 LOW	4188-41882	110-155	11.4	29	441	430	303	272	85	131
	4459-44593	160-175	11.4	30	441	430	315	285	85	131

Hydraulic Torque Wrench

- 1) Self-lubricating low Nickel Bronze for drive bush to protect body from wear.
- 2) Fine Ratchet & Pawl for better engagement.
- 3) Auto engagement of rod in first stroke
- 4) Leak proof quick connecting coupler.
- 5) 360°x180° swivel for better degree of movement.
- 6) Hard chrome plating of piston rod for wear resistance.
- 7) High quality seals for high pressure.
- 8) Torsion free reaction pad.
- 9) Never-Lock drive pawl.
- 10) Lock Pin



Accessories:



DIMENSIONAL DATA

2 LOW				4 LOW				8 LOW				14 LOW				30 LOW			
TYPE	R	A	MAX TORQUE	TYPE	R	A	MAX TORQUE	TYPE	R	A	MAX TORQUE	TYPE	R	A	MAX TORQUE	TYPE	R	A	MAX TORQUE
2LOW-19	27	16	2328	4LOW-34	36	16	2510	8LOW-41	46	22	10941	14LOW-50	60	31	18521	30LOW-85	78	28	41882
2LOW-22	27	14	2328	4LOW-36	36	15	2510	8LOW-46	46	19	10941	14LOW-55	60	28	18521	30LOW-90	78	27	41882
2LOW-27	27	11	2328	4LOW-41	39	15	5021	8LOW-50	46	17	10941	14LOW-60	60	25	18521	30LOW-95	83	28	41882
2LOW-30	29	12	2328	4LOW-46	42	15	5858	8LOW-55	50	18	10941	14LOW-65	60	22	18521	30LOW-100	83	25	41882
2LOW-32	29	11	2328	4LOW-50	44	15	5858	8LOW-60	52	17	10941	14LOW-70	60	19	18521	30LOW-105	89	28	41882
2LOW-34	31	11	2328	4LOW-55	46	14	5858	8LOW-65	55	17	10941	14LOW-75	63	19	18521	30LOW-110	89	25	41882
2LOW-36	31	10	2328	4LOW-60	50	15	5858	8LOW-70	58	17	10941	14LOW-80	66	19	18521	30LOW-115	95	28	41882
2LOW-41	34	10	2328	4LOW-65	53	15	5858	8LOW-75	60	17	10941	14LOW-85	69	19	18521	30LOW-117	95	27	41882
2LOW-46	37	10	2328	4LOW-70	56	15	6474	8LOW-80	63	16	10941	14LOW-90	72	20	18521	30LOW-120	95	25	41882
2LOW-50	40	11	2328	4LOW-75	59	15	6474	8LOW-85	66	16	10941	14LOW-95	74	19	18521	30LOW-125	101	29	41882
2LOW-55	43	11	2328	4LOW-80	61	15	6474	8LOW-90	69	17	10941	14LOW-100	77	19	18521	30LOW-130	101	26	41882
2LOW-60	46	11	2414					8LOW-95	71	16	10941	14LOW-105	80	19	18521	30LOW-135	104	26	41882
								8LOW-100	75	17	11774	14LOW-110	83	19	18521	30LOW-140	110	29	41882
								8LOW-105	78	17	11774	14LOW-115	87	20	18521	30LOW-145	110	26	41882
												14LOW-117	87	19	18521	30LOW-150	116	29	41882
																30LOW-155	116	26	41882
																30LOW-160	128	36	44593
																30LOW-165	128	33	44593
																30LOW-170	128	30	44593
																30LOW-175	128	27	44593